

ECONOMICAL TWO-PIECE THREADED END BALL VALVE

MODEL: V015N RATING: 1000 CWP

• DESIGN FEATURE:

- Applications for Hydraulic, Chemical, Steam, Oil/Gas, Oxygen, Vacuum.
- Integral mounting pad easy for automation.
- Thrust washer prevents galling, reduces torque and provides secondary stem seal.
- Long cycle life, low uniform torques.
- Adjustable stem packing gland nut.
- Double D stem head design provides mounting to the lever.
- Bottom entry blow-out proof stem design provides maximum safety.
- Lock device handle is available.
- Oval handle is option.
- Investment cast body construction.
- DIN EN10204-3.1 Certificate available.



• STANDARD:

- Female pipe threaded to NPT, DIN 259/2999, BS21.
- Inspection & testing according to API 598.
- PED 97/23/EC; ISO 9001.

• SPECIFICATIONS:

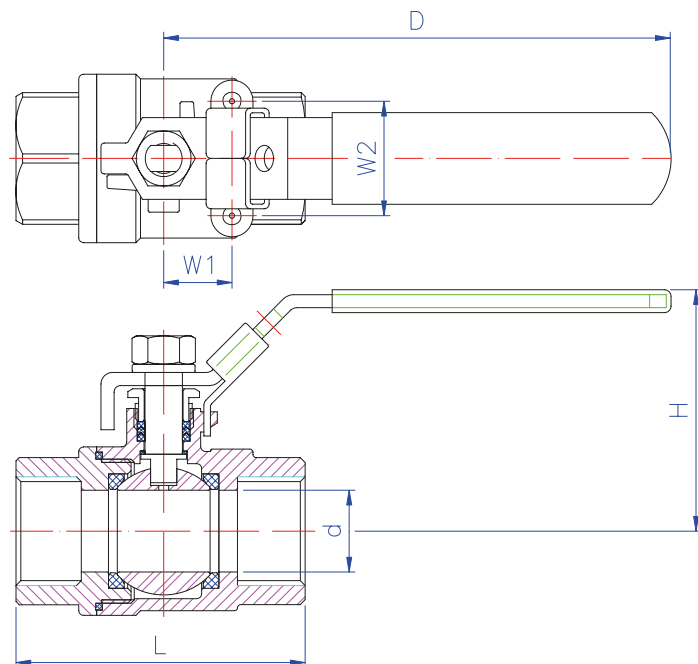
- Construction: Two-Piece screw in side-entry floating ball design.
- Flow bore: full port.
- Rating: 1000PSI; 150 PSI saturated steam.
- Temperature: -20°F - 350°F (PTFE) / 400°F (R.PTFE).
- Materials: ASTM CF8M, CF8, WCB.
- Size range: 1/4" – 3" .

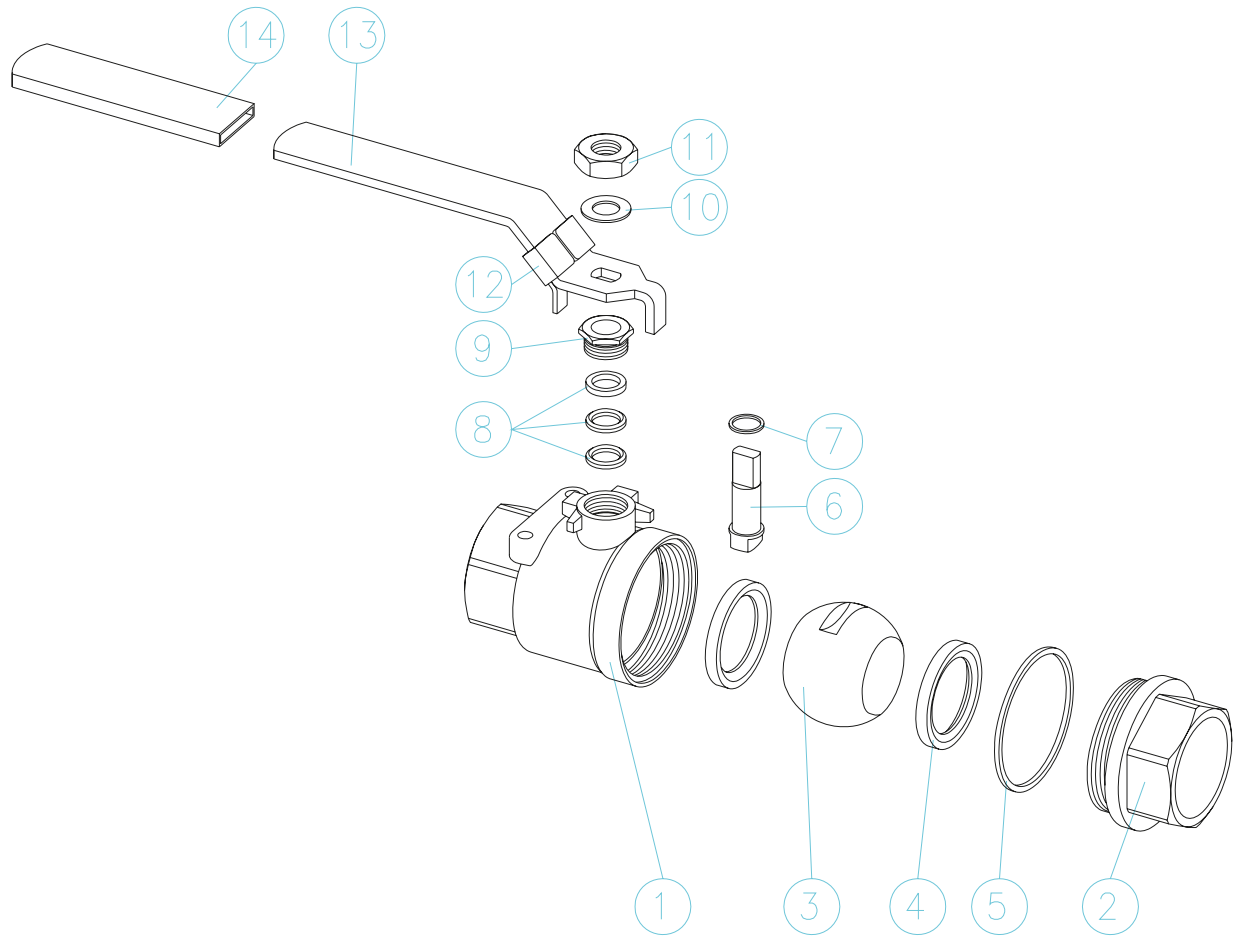
• DIMENSIONS LIST

Size	d	L	H	D	W1	W2	Cv
1/4"	11.5	54.4	48.5	97.5	12.7	28	8
3/8"	12.5	54.4	48.5	97.5	12.7	28	10
1/2"	15	65.3	58.5	123	12.7	28	13
3/4"	20	77.3	62.5	123	22.4	35	50
1"	25	88.7	69	145	22.4	35	93
1-1/4"	32	102.4	77.5	145	25.4	38	170
1-1/2"	38.1	109	89.5	189	25.4	38	250
2"	50	125.3	98	189	25.4	38	450
2-1/2"	65	164.9	132	255	35	55	750
3"	80	189.5	148	261	35	55	1300



PTFE/R.PTFE Ball SEAT Pressure-Temperature RATING





• MATERIALS LIST:

NO	PART NAME	MATERIAL	NO	PART NAME	MATERIAL
1	BODY	CF8M/CF8/WCB	8	STEM PACKING	PTFE
2	END CAP	CF8M/CF8/WCB	9	GLAND NUT	SS304
3	SOLID BALL	CF8M	10	WASHER	SS304
4	BALL SEAT	PTFE	11	HANDLE NUT	SS304
5	BODY SEAL	PTFE	12	LOCKING DEVICE	SS304
6	STEM	SS316	13	HANDLE	SS304
7	THRUST WASHER	PTFE	14	HANDLE SLEEVE	VINYL